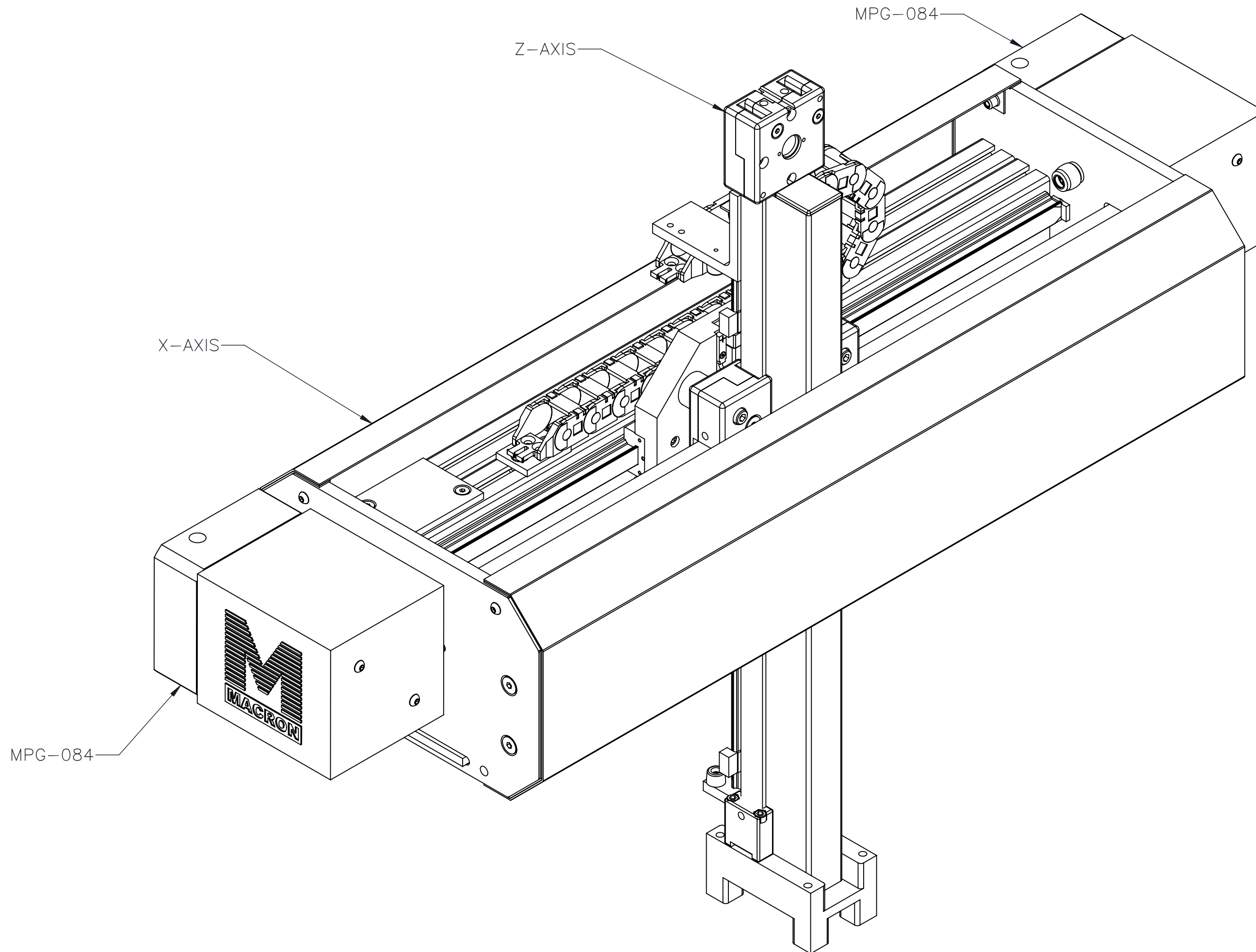



TBG-25- [ ] -X- [ ]

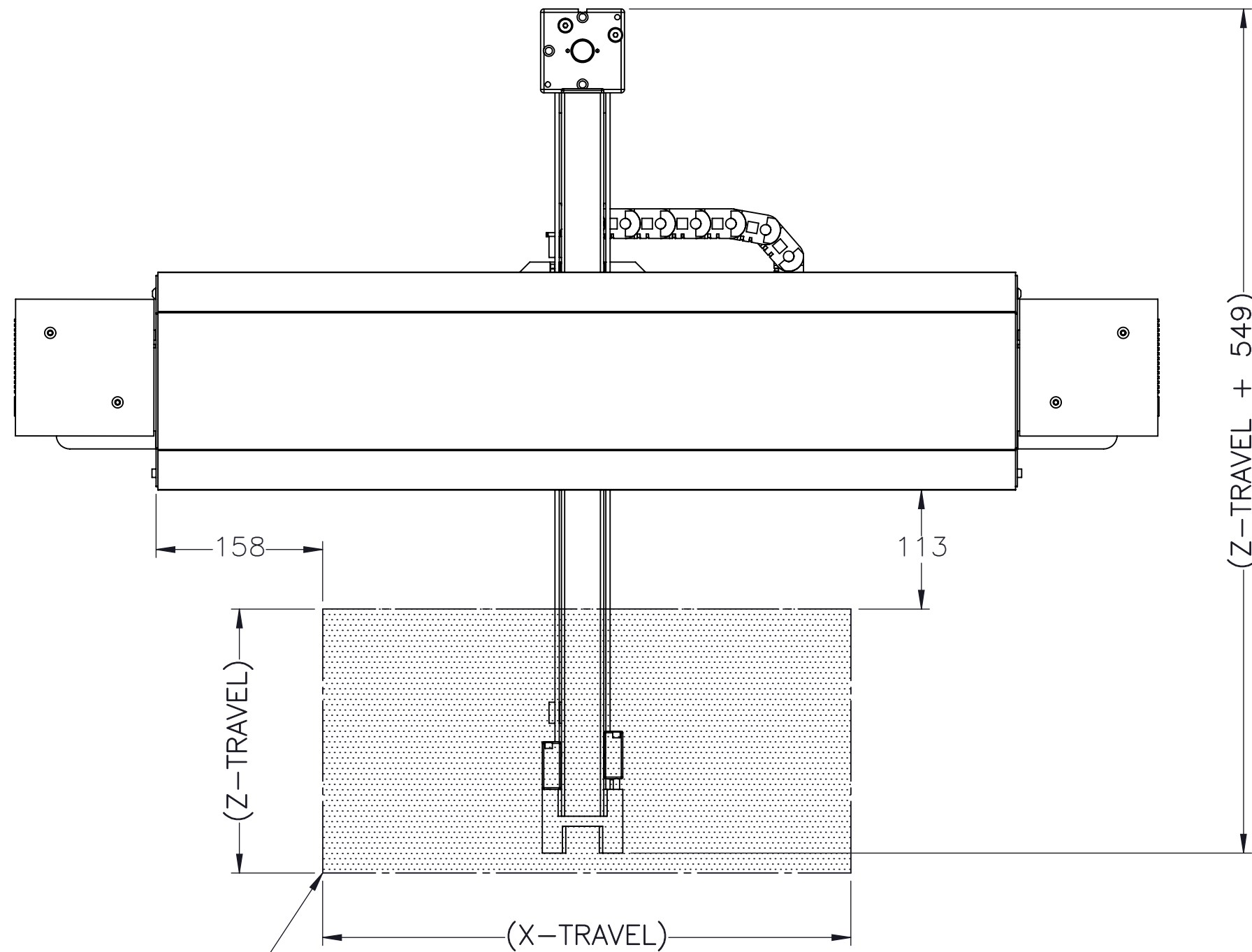
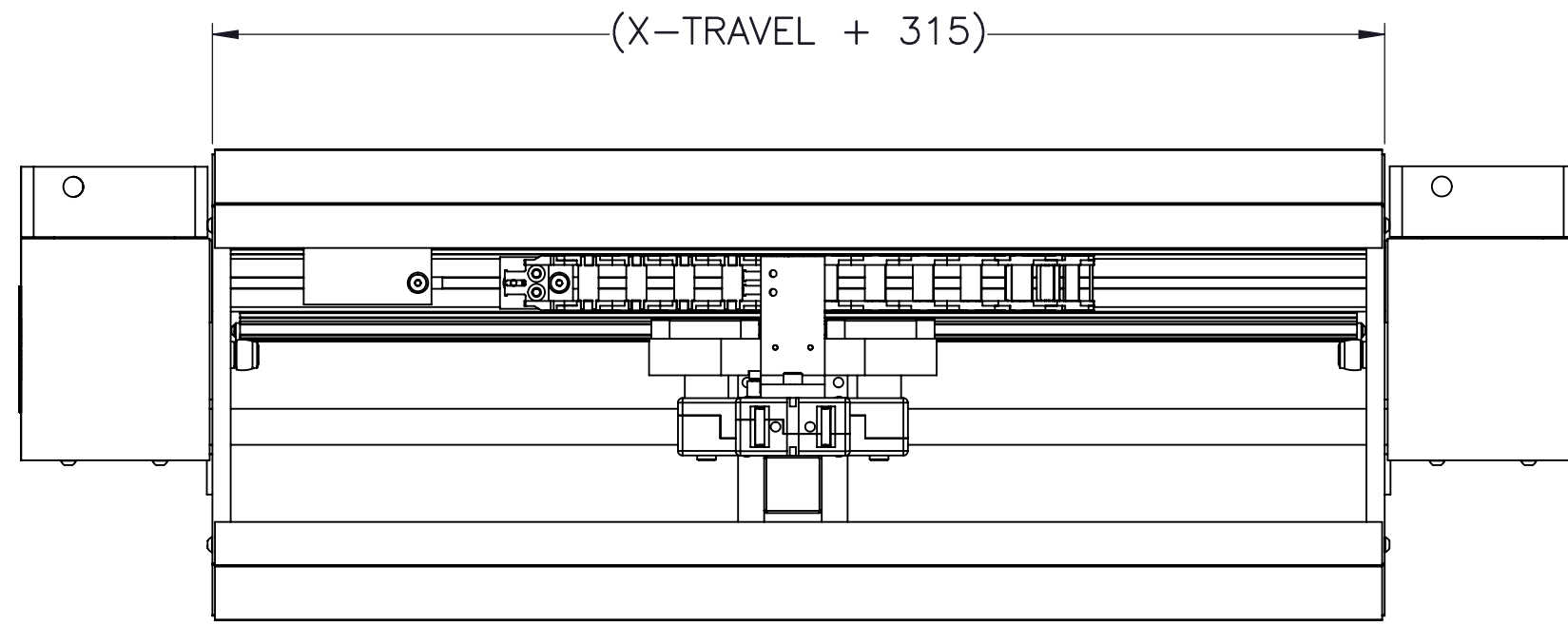
*ENTER Z-AXIS TRAVEL*  
 TRAVEL IN INCREMENTS OF 250mm  
 TRAVEL LIMITS: 250mm-750mm

*ENTER X-AXIS TRAVEL*  
 TRAVEL IN INCREMENTS OF 500mm  
 TRAVEL LIMITS: 500mm-2000mm

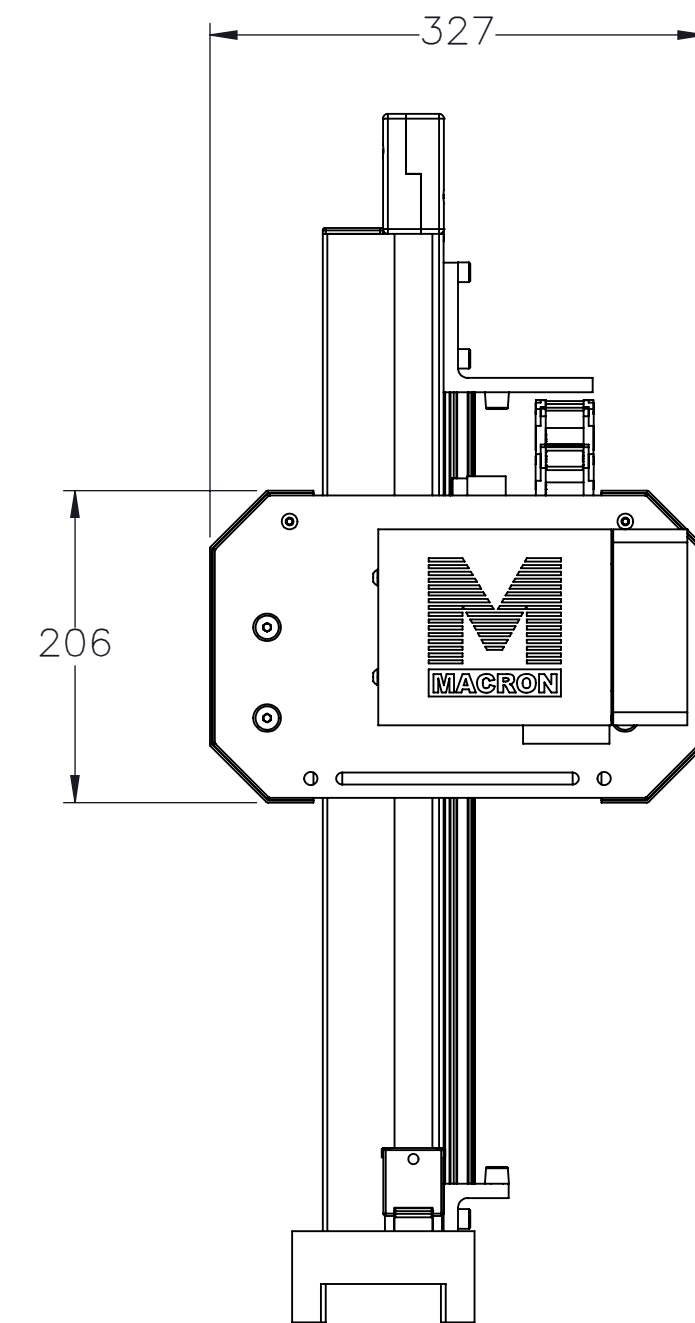



 <b>MACRON DYNAMICS INC</b>	DRAWN BY: JB CHECKED BY: -- LAST SAVED BY: Blutinger	DATE: 6/27/2014 DATE: DD/MM/YYYY DATE: 1/8/2016	MATERIAL:	TITLE: <b>MACRON TBG 25 GANTRY</b>	
	<small>UNLESS OTHERWISE SPECIFIED, DIMENSIONS ARE IN MILLIMETERS. TOLERANCES UNLESS NOTED OTHERWISE:</small>		FINISH:	SCALE 1:1   SHEET SIZE C	
	SURFACE FINISH $\checkmark$		SHEET	PART NUMBER	REV
	<small>THIS DRAWING IS THE PROPERTY OF MACRON DYNAMICS. ANY REPRODUCTIONS SHALL BE FOR QUOTATION, MANUFACTURING, OR PURCHASING PURPOSES ONLY. RELEASE OF DRAWINGS TO OTHER CONCERNS DOES NOT CONSTITUTE LICENSING IN ANY WAY. INFORMATION CONTAINED HEREIN IS PROPRIETARY AND CONFIDENTIAL.</small>		BREAK ALL SHARP EDGES DIMENSIONAL LIMITS APPLY AFTER FINISHING THIRD ANGLE PROJECTION	1 OF 5	TBG-25

# GANTRY FOOTPRINT

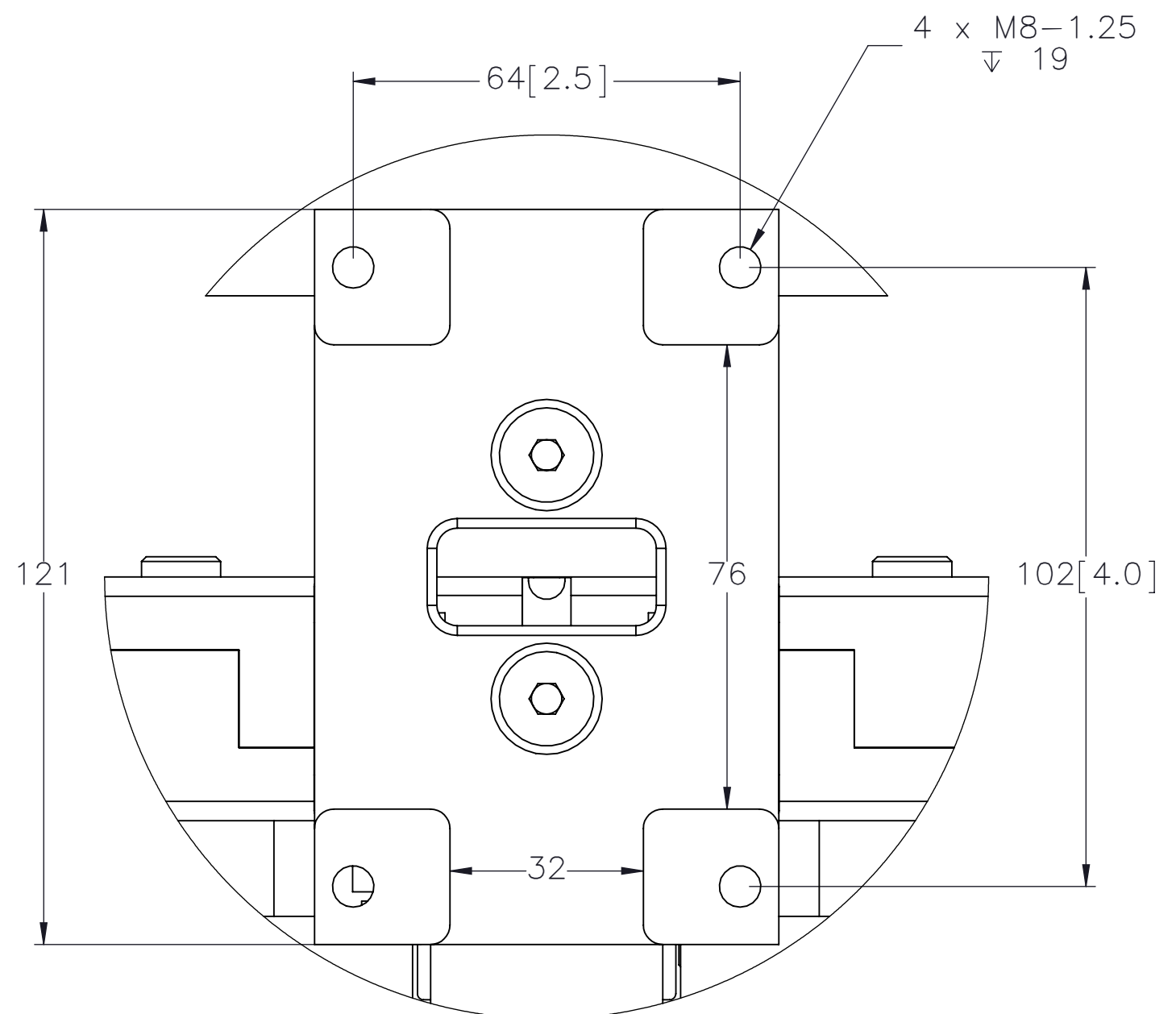
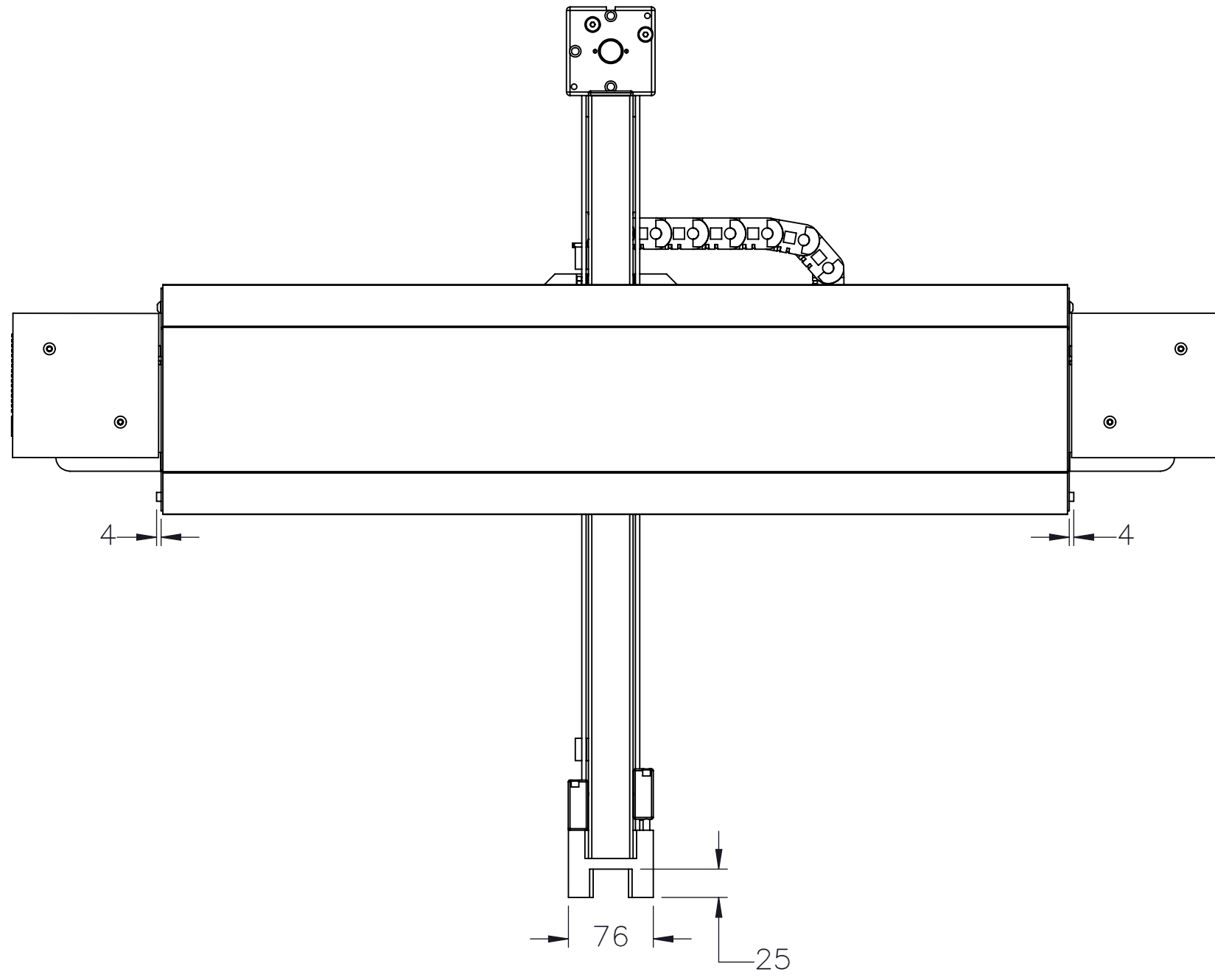
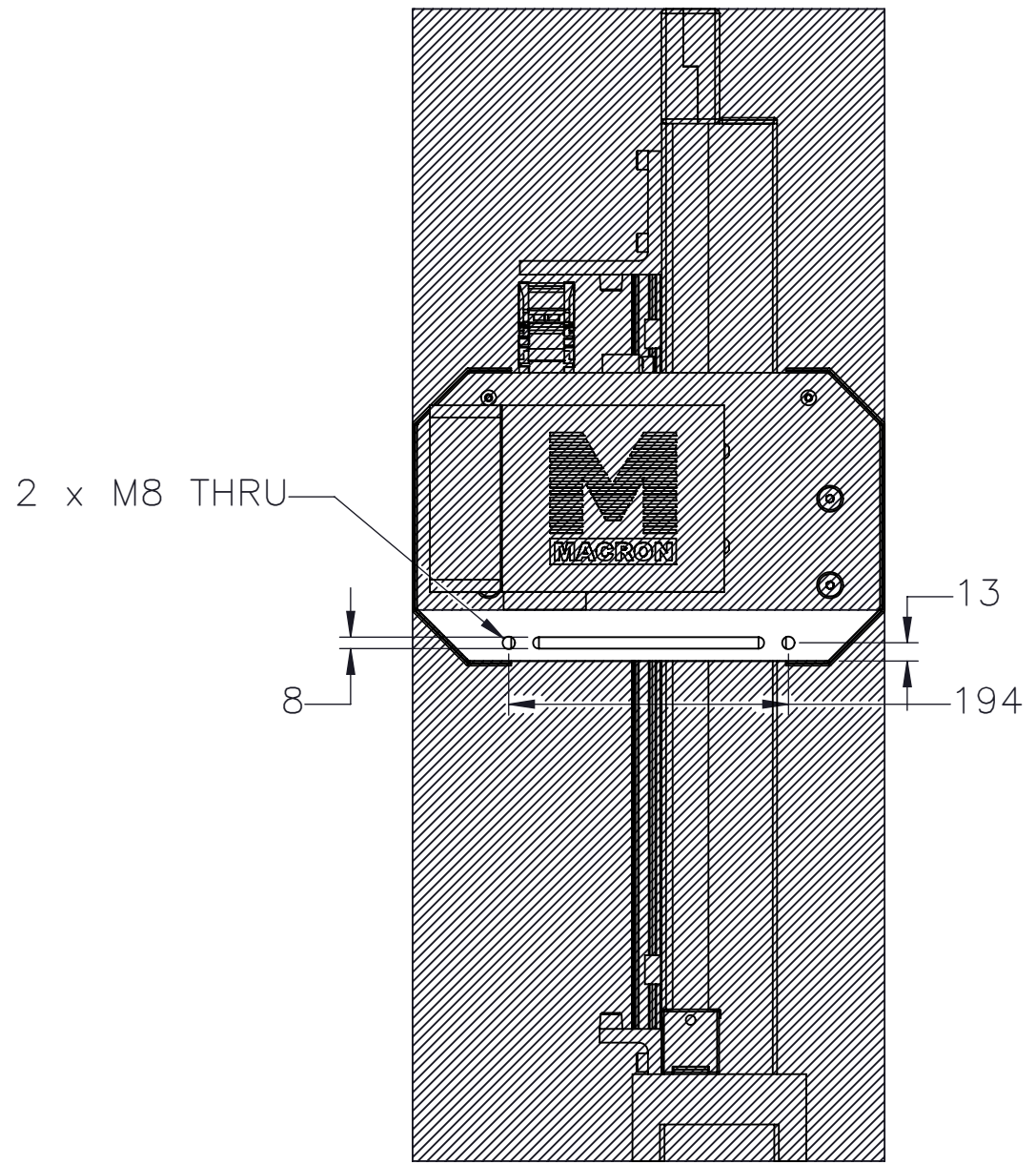


WORK ENVELOPE  
(FROM BOTTOM CENTER  
OF Z-AXIS)

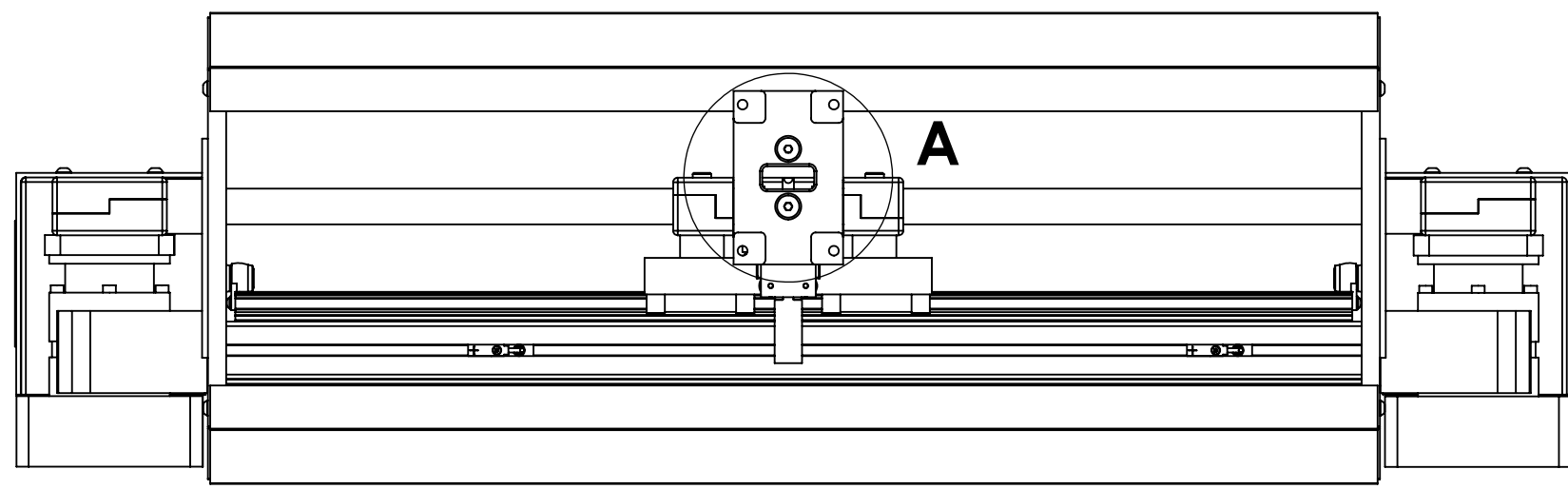



 <b>MACRON DYNAMICS INC</b>	DRAWN BY: JB      DATE: 6/27/2014	MATERIAL:	TITLE: MACRON TBG 25 GANTRY
	CHECKED BY: --      DATE: DD/MM/YYYY	FINISH:	
	LAST SAVED BY: Blutinger      DATE: 1/8/2016	UNLESS OTHERWISE SPECIFIED, DIMENSIONS ARE IN INCHES: TOLERANCES UNLESS NOTED OTHERWISE:	
	SURFACE FINISH 63	.X ± .03 .XX ± .010 .XXX ± .005 ANG ± 0°30'	
THIS DRAWING IS THE PROPERTY OF MACRON DYNAMICS. ANY REPRODUCTIONS SHALL BE FOR QUOTATION, MANUFACTURING, OR PURCHASING PURPOSES ONLY. RELEASE OF DRAWINGS TO OTHER CONCERNS DOES NOT CONSTITUTE LICENSING IN ANY WAY. INFORMATION CONTAINED HEREIN IS PROPRIETARY AND CONFIDENTIAL	BREAK ALL SHARP EDGES DIMENSIONAL LIMITS APPLY AFTER FINISHING THIRD ANGLE PROJECTION	SCALE 1:1      SHEET SIZE C	SHEET 2 OF 5      PART NUMBER TBG-25      REV

# GANTRY MOUNTING FEATURES



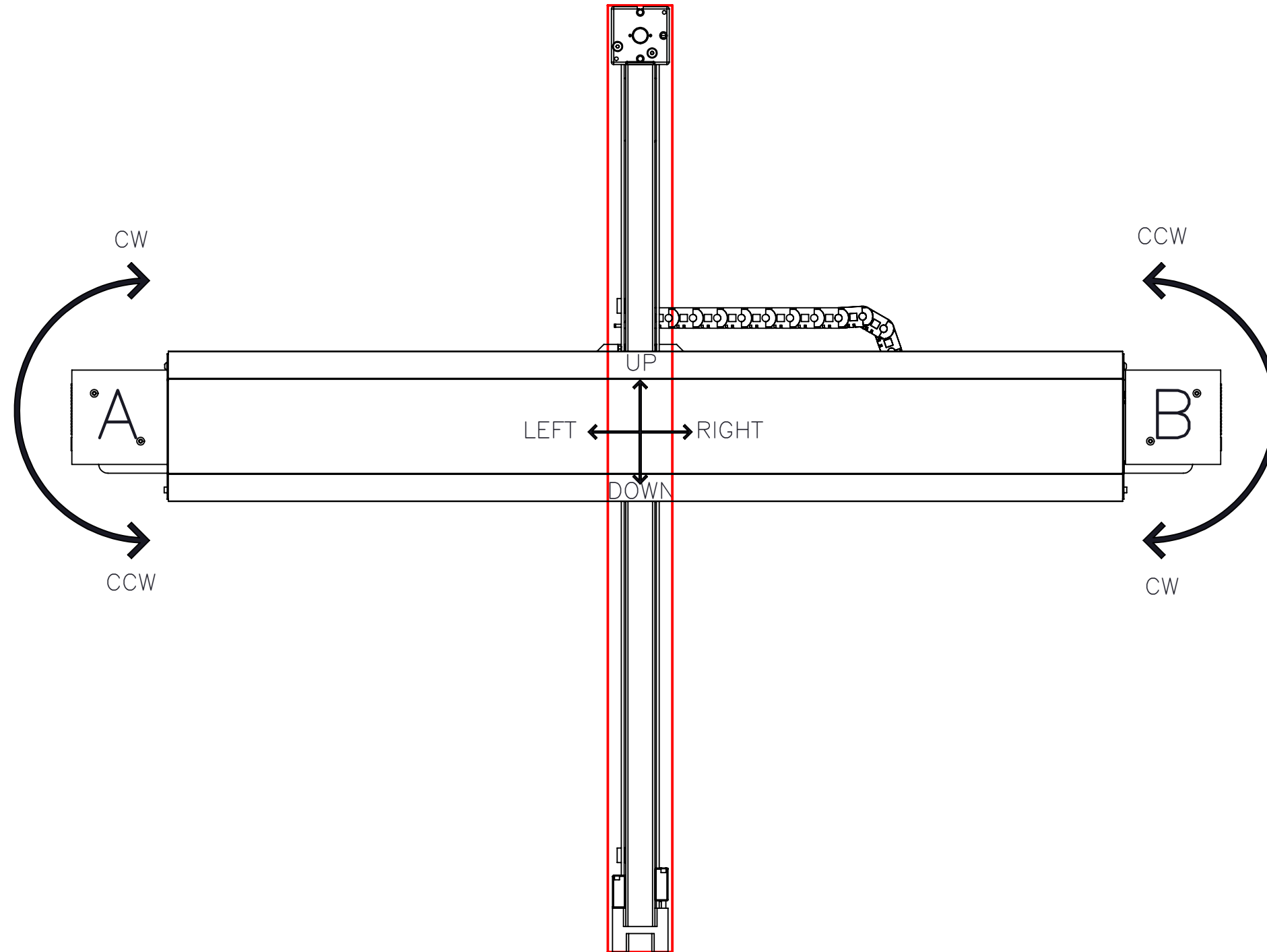
DETAIL A



 <b>MACRON DYNAMICS INC</b>	DRAWN BY: JB CHECKED BY: -- LAST SAVED BY: Blutinger	DATE: 6/27/2014 DATE: DD/MM/YYYY DATE: 1/21/2016	MATERIAL:	TITLE: MACRON TBG 25 GANTRY	
	UNLESS OTHERWISE SPECIFIED, DIMENSIONS ARE IN INCHES. TOLERANCES UNLESS NOTED OTHERWISE:		FINISH:	SCALE: 1:1	
	SURFACE FINISH: 63		SHEET: 3 OF 5	PART NUMBER: TBG-25	SHEET SIZE: C
	THIS DRAWING IS THE PROPERTY OF MACRON DYNAMICS. ANY REPRODUCTIONS SHALL BE FOR QUOTATION, MANUFACTURING, OR PURCHASING PURPOSES ONLY. RELEASE OF DRAWINGS TO OTHER CONCERNS DOES NOT CONSTITUTE LICENSING IN ANY WAY. INFORMATION CONTAINED HEREIN IS PROPRIETARY AND CONFIDENTIAL.		BREAK ALL SHARP EDGES. DIMENSIONAL LIMITS APPLY AFTER FINISHING. THIRD ANGLE PROJECTION.		


# MOTOR DYNAMICS

(ASSUMES MOTORS ARE ROTATING AT SAME ANGULAR VELOCITY)



ROTATIONAL DIRECTION		Z-AXIS MOVEMENT
PULLEY A	PULLEY B	
CW	CW	LEFT
CW	CCW	UP
CCW	CW	DOWN
CCW	CCW	RIGHT

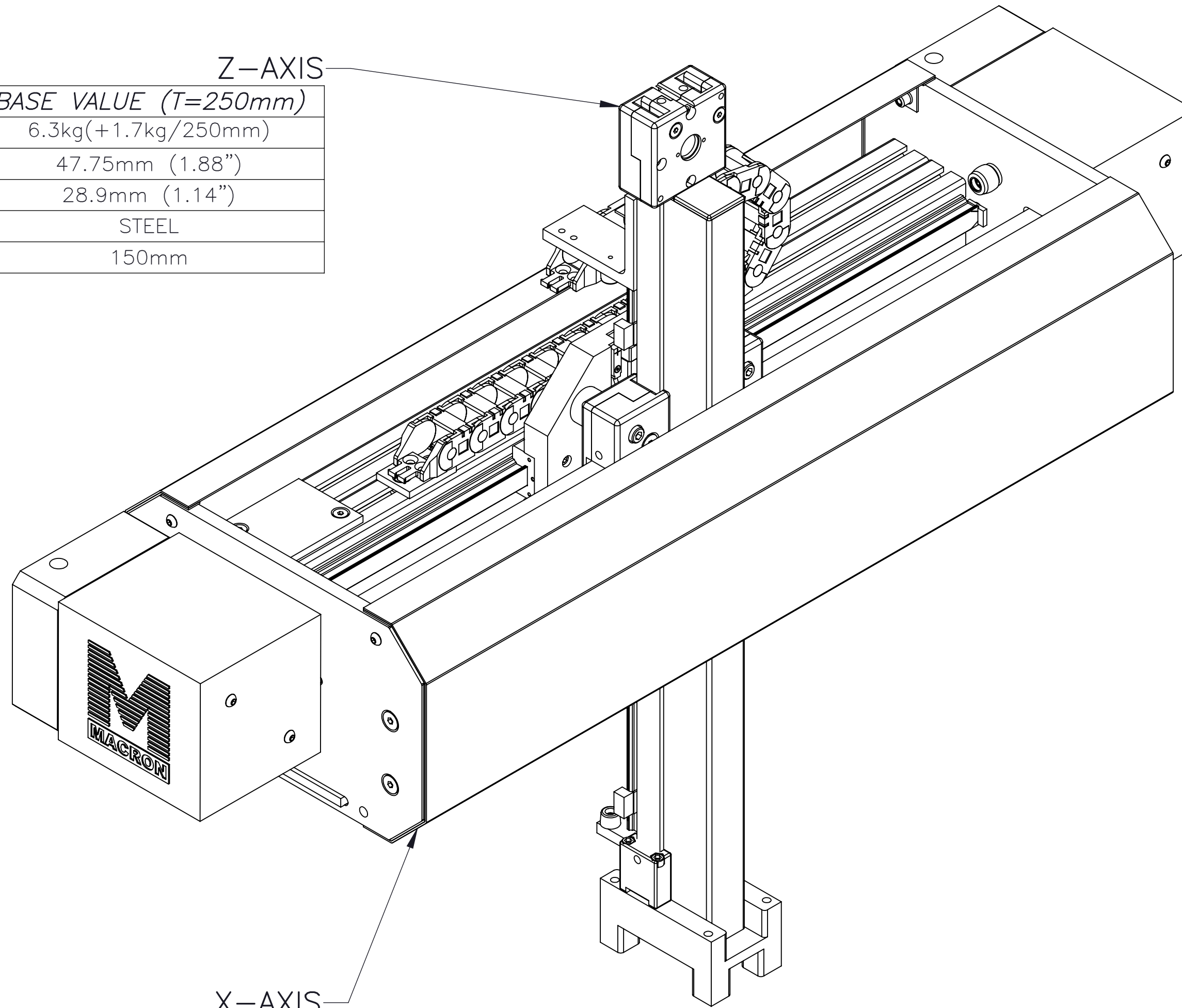
PULLEY ROTATION AND Z-AXIS MOVEMENT ARE WITH RESPECT TO THE THIS GANTRY VIEW

 <b>MACRON DYNAMICS INC</b>	DRAWN BY: JB      DATE: 2/10/2016	MATERIAL:	TITLE: MACRON TBG 25 GANTRY
	CHECKED BY: --      DATE: 2/11/2016	FINISH:	
	LAST SAVED BY: tbeck      DATE: 2/1/2019	UNLESS OTHERWISE SPECIFIED, DIMENSIONS ARE IN INCHES: TOLERANCES UNLESS NOTED OTHERWISE: .X ± .762 .XX ± .254 .XXX ± .127 ANG ± 0°30'	
	SURFACE FINISH 63		
THIS DRAWING IS THE PROPERTY OF MACRON DYNAMICS. ANY REPRODUCTIONS SHALL BE FOR QUOTATION, MANUFACTURING, OR PURCHASING PURPOSES ONLY. RELEASE OF DRAWINGS TO OTHER CONCERNS DOES NOT CONSTITUTE LICENSING IN ANY WAY. INFORMATION CONTAINED HEREIN IS PROPRIETARY AND CONFIDENTIAL.		BREAK ALL SHARP EDGES DIMENSIONAL LIMITS APPLY AFTER FINISHING THIRD ANGLE PROJECTION	SCALE 1:1    SHEET SIZE C
		SHEET 4 OF 5    PART NUMBER TBG-25	REV

# MOTOR SIZING INFORMATION


(INCREMENTAL ADDERS REFER TO MASS PER TRAVEL LENGTH)

PROPERTY	BASE VALUE (T=250mm)
MOVING MASS	6.3kg(+1.7kg/250mm)
PULLEY PITCH $\phi$	47.75mm (1.88")
PULLEY WIDTH	28.9mm (1.14")
PULLEY MATERIAL	STEEL
TRAVEL PER REV	150mm



X-TRAVEL = \_\_\_\_\_ mm  
Z-TRAVEL = \_\_\_\_\_ mm

PROPERTY	BASE VALUE (T=500mm)
*MOVING MASS	6.3kg(+.03kg/500mm)
PULLEY PITCH $\phi$	47.75mm (1.88")
PULLEY WIDTH	28.9mm (1.14")
PULLEY MATERIAL	STEEL
TRAVEL PER REV	150mm
*ADD MOVING MASS OF Z-AXIS TO VALUE	

Z-AXIS	MOVING MASS {1}	$(Z-TRAVEL \times .0068) + 4.57$
X-AXIS	MOVING MASS	$(X-TRAVEL \times .0001) + 6.26 + \{1\}$
BELT MASS		$[(X-TRAVEL + Z-TRAVEL) \times .0006] + 0.64$
 MACRON DYNAMICS INC	DRAWN BY: JB CHECKED BY: -- LAST SAVED BY: Blutinger	DATE: 6/27/2014 DATE: DD/MM/YYYY DATE: 1/8/2016
	UNLESS OTHERWISE SPECIFIED, DIMENSIONS ARE IN INCHES. TOLERANCES UNLESS NOTED OTHERWISE:	.X $\pm$ .762 .XX $\pm$ .254 .XXX $\pm$ .127 ANG $\pm$ 0°30'
THIS DRAWING IS THE PROPERTY OF MACRON DYNAMICS. ANY REPRODUCTIONS SHALL BE FOR QUOTATION, MANUFACTURING, OR PURCHASING PURPOSES ONLY. RELEASE OF DRAWINGS TO OTHER CONCERNS DOES NOT CONSTITUTE LICENSING IN ANY WAY. INFORMATION CONTAINED HEREIN IS PROPRIETARY AND CONFIDENTIAL.		SURFACE FINISH 63 BREAK ALL SHARP EDGES DIMENSIONAL LIMITS APPLY AFTER FINISHING THIRD ANGLE PROJECTION
SHEET 5 OF 5		PART NUMBER TBG-25 SCALE 1:1 SHEET SIZE C REV