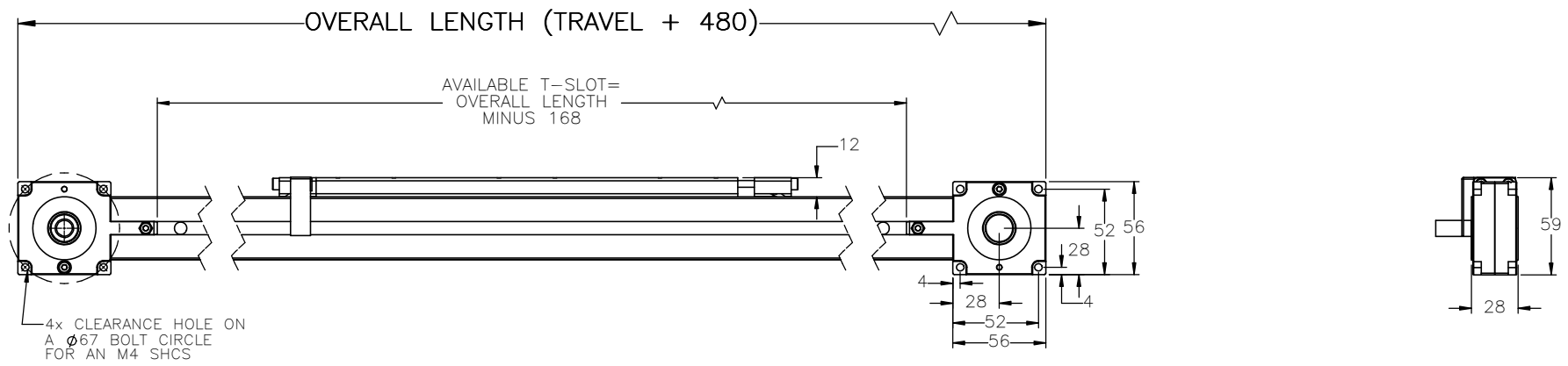
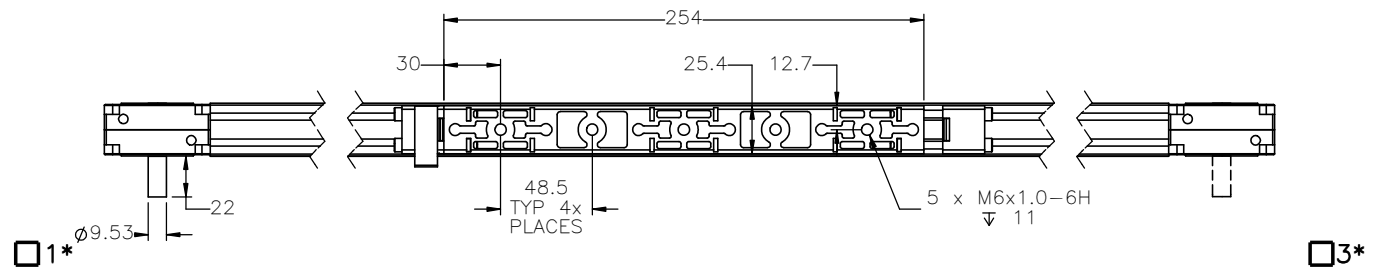
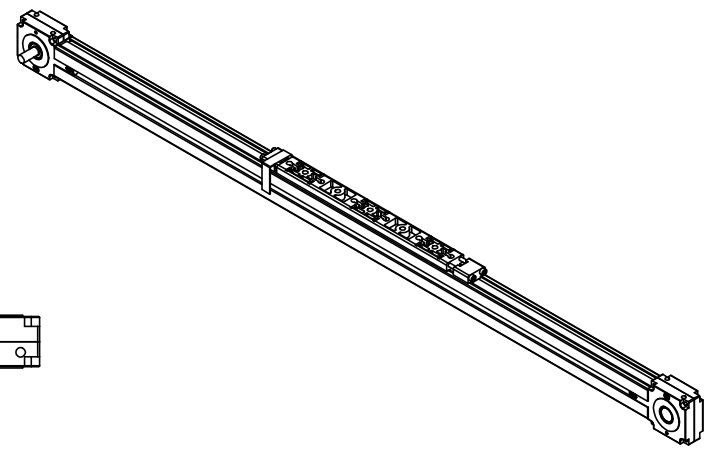


MSA-PSC-0-GB---

PULLEY PITCH DIAMETER	33.42mm (1.316")
PULLEY WIDTH	16.3mm (.640")
PULLEY MATERIAL	STEEL
BELT WEIGHT	.0025 lb/in or 1.1g/25mm
TRAVEL PER REV.	105mm
TRAVEL MIN.	150mm
TRAVEL MAX.	5625mm

ENTER TRAVEL IN INCREMENTS OF 25mm
 SELECT DRIVE SHAFT LOCATION*
 SHAFTING TYPE
 A0= SINGLE SHAFTED
 B0= DOUBLE SHAFTED
 AM= SINGLE SHAFTED W/ MOTOR MOUNT
 BM= DOUBLE SHAFTED W/ MOTOR MOUNT

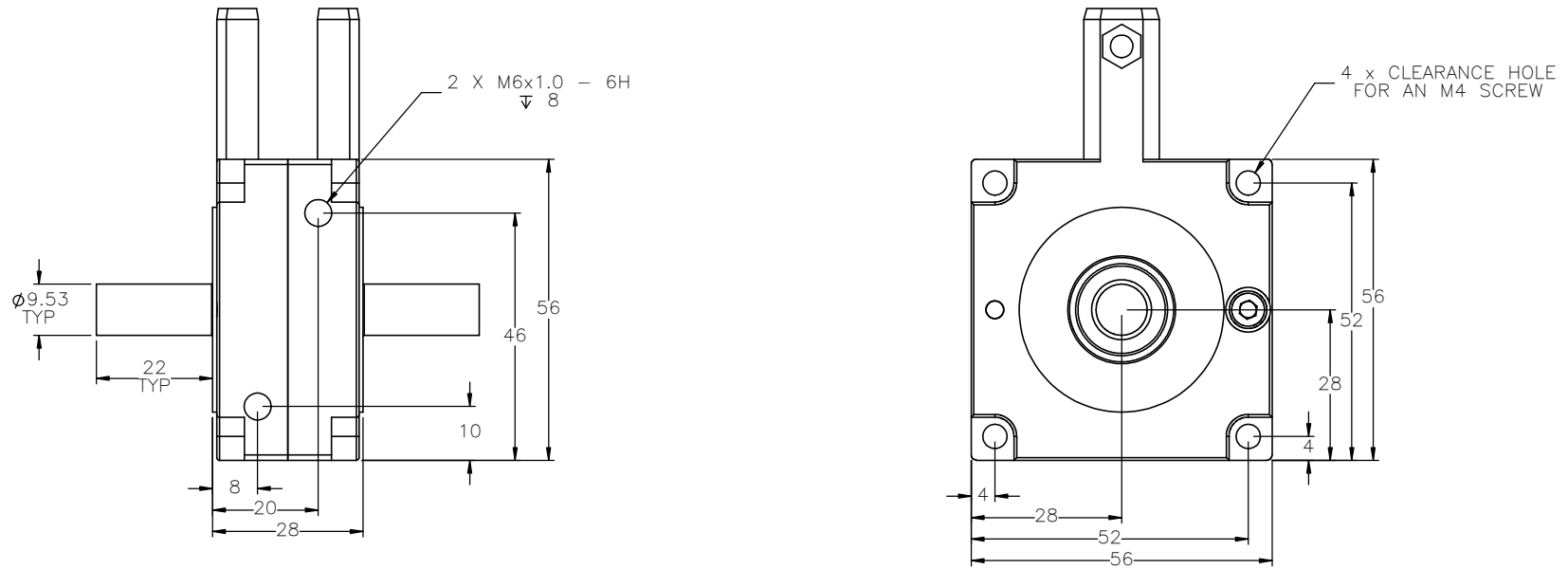


APPROVED: _____
 DATE: _____

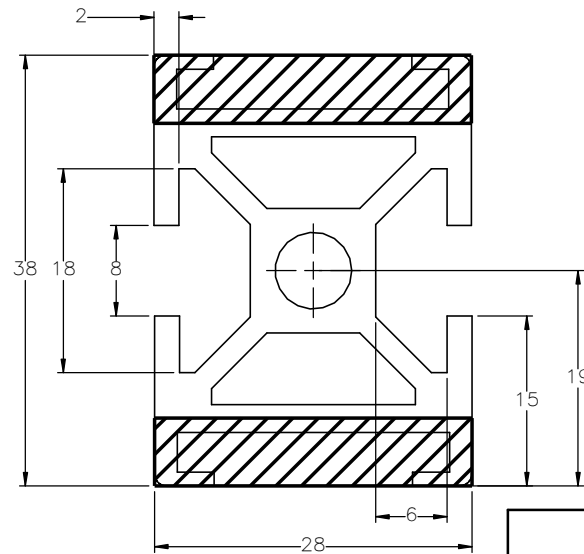
 MACRON DYNAMICS INC	DRAWN BY: ASB DATE: 3/6/2012 MATERIAL:	TITLE: MACRON PSC ACTUATOR
	CHECKED BY: -- DATE: DD/MM/YYYY	
	LAST SAVED BY: Tim DATE: 4/25/2017	
UNLESS OTHERWISE SPECIFIED: DIMENSIONS ARE IN MILLIMETERS TOLERANCES UNLESS NOTED OTHERWISE: .X ± .762 .XX ± .254 .XXX ± .127 ANG ± 0°30'		FINISH:
SURFACE FINISH <input checked="" type="checkbox"/>		SCALE: 1:1 SHEET SIZE: C
BREAK ALL SHARP EDGES DIMENSIONAL LIMITS APPLY AFTER FINISHING THIRD ANGLE PROJECTION		SHEET: 1 OF 2 PART NUMBER: MSA-PSC REV: 01


THIS DRAWING IS THE PROPERTY OF MACRON DYNAMICS. ANY REPRODUCTIONS SHALL BE FOR QUOTATION, MANUFACTURING, OR PURCHASING PURPOSES ONLY. RELEASE OF DRAWINGS TO OTHER CONCERNS DOES NOT CONSTITUTE LICENSING IN ANY WAY. INFORMATION CONTAINED HEREIN IS PROPRIETARY AND CONFIDENTIAL. SPECIFICATIONS ARE SUBJECT TO CHANGE WITHOUT NOTICE.

DOUBLE SHAFTED PULLEY



ACTUATOR BODY T-SLOT MOUNTING FEATURES



 MACRON DYNAMICS INC	DRAWN BY: ASB DATE: 3/6/2012	MATERIAL:	TITLE: MACRON_PSC ACTUATOR
	CHECKED BY: -- DATE: DD/MM/YYYY	FINISH:	
	LAST SAVED BY: Tim DATE: 4/25/2017	.X ± .762 .XX ± .254 DIMENSIONS ARE IN MILLIMETER TOLERANCES UNLESS NOTED OTHERWISE: .XXX ± .127 ANG ± 0°30'	SCALE: 1:1 SHEET SIZE: C
	SURFACE FINISH: <input checked="" type="checkbox"/> BREAK ALL SHARP EDGES DIMENSIONAL LIMITS APPLY AFTER FINISHING THIRD ANGLE PROJECTION	SHEET: 2 OF 2 PART NUMBER: MSA-PSC	REV: 01

SPECIFICATIONS ARE SUBJECT TO CHANGE WITHOUT NOTICE

THIS DRAWING IS THE PROPERTY OF MACRON DYNAMICS. ANY REPRODUCTIONS SHALL BE FOR QUOTATION, MANUFACTURING, OR PURCHASING PURPOSES ONLY. RELEASE OF DRAWINGS TO OTHER CONCERNS DOES NOT CONSTITUTE LICENSING IN ANY WAY. INFORMATION CONTAINED HEREIN IS PROPRIETARY AND CONFIDENTIAL.